

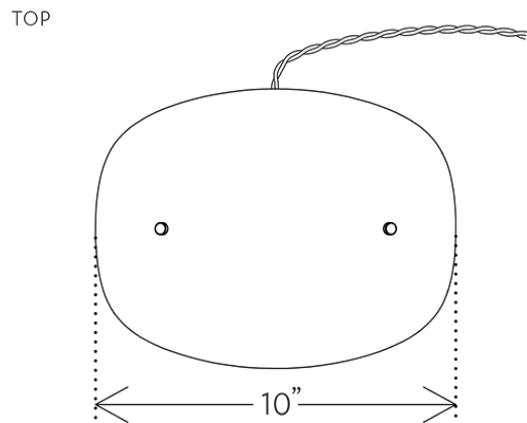
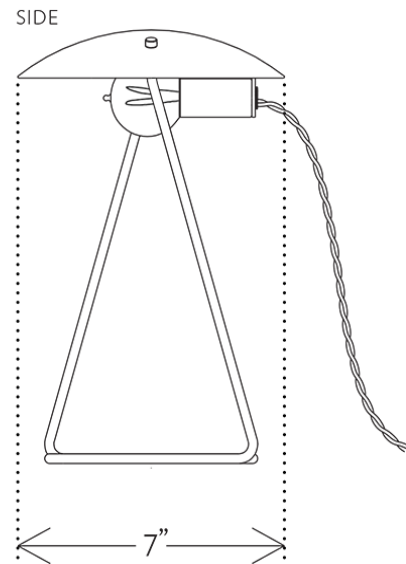
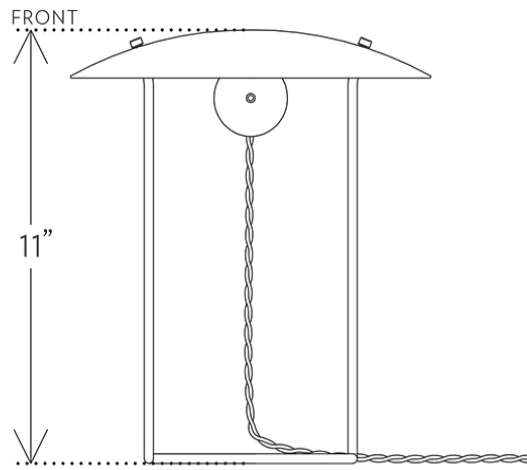
# TABLE LIGHT TL.01.01

LINDSEY ADELMAN FOR LINDSEY ADELMAN STUDIO



# TABLE LIGHT TL.01.01

LINDSEY ADELMAN FOR LINDSEY ADELMAN STUDIO



DESIGNER  
Lindsey Adelman

MANUFACTURER  
Lindsey Adelman Studio

ORIGIN  
United States

PRODUCTION  
Made to Order

WEIGHT  
3 lbs.

MATERIALS/FINISHES  
Machined brass, hammered bronze and cloth cord. Satin nickel base with polished bronze shade or brushed brass with brushed bronze shade.

DIMENSIONS  
Fixture: L 10" x W 7" x H 11"  
Shade: Dia. 10"

CUSTOMIZABLE  
In addition to producing made-to-order fixtures in standard configurations, LAS studio has a robust customization program in which they are able to manipulate the size, shape and design of a fixture to perfectly fit a space. They also offer a range of custom metal and glass finishes in addition to the standard options.

ILLUMINATION  
110V: E12, 3W, Max 40W, 2500K LED, dimmable.  
220V: E14, 3W, Max 40W, 2500K LED, dimmable.  
110V North America 2-prong, 220V C-type plug.