

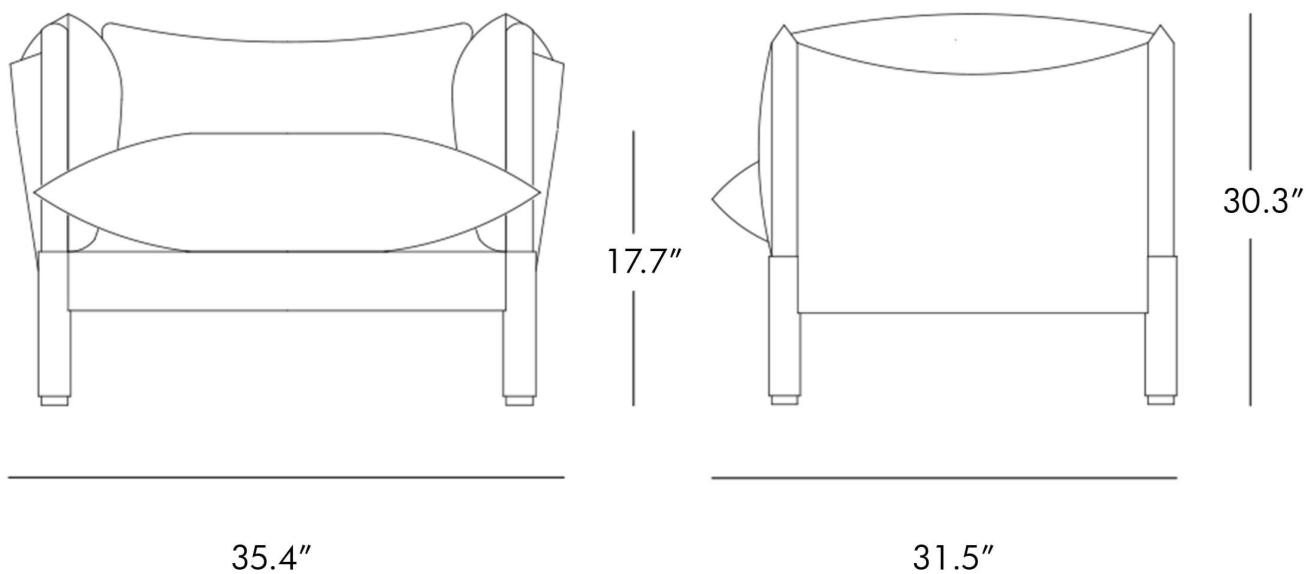
TEPEE ARMCHAIR

LUCY KURREIN FOR SCP



TEPEE ARMCHAIR

LUCY KURREIN FOR SCP



DESIGNER

Lucy Kurrein

MANUFACTURER

SCP

ORIGIN

United Kingdom

PRODUCTION

Made to Order

UPHOLSTERY REQUIREMENTS

COM requires 4.5 yd. Please inquire directly.

MATERIALS

Solid oak frame, a sprung drop seat and cylindrical oak legs. Pure cotton canvas sling. Duck feather seat and back cushions.

Upholstery offered online in Kvadrat's Clara 2-0544 - 92% New wool (worsted), 8% Nylon.

DIMENSIONS

W 35.4" x D 31.5" x H 31.5"

CARE

Iron on medium heat, dry clean.