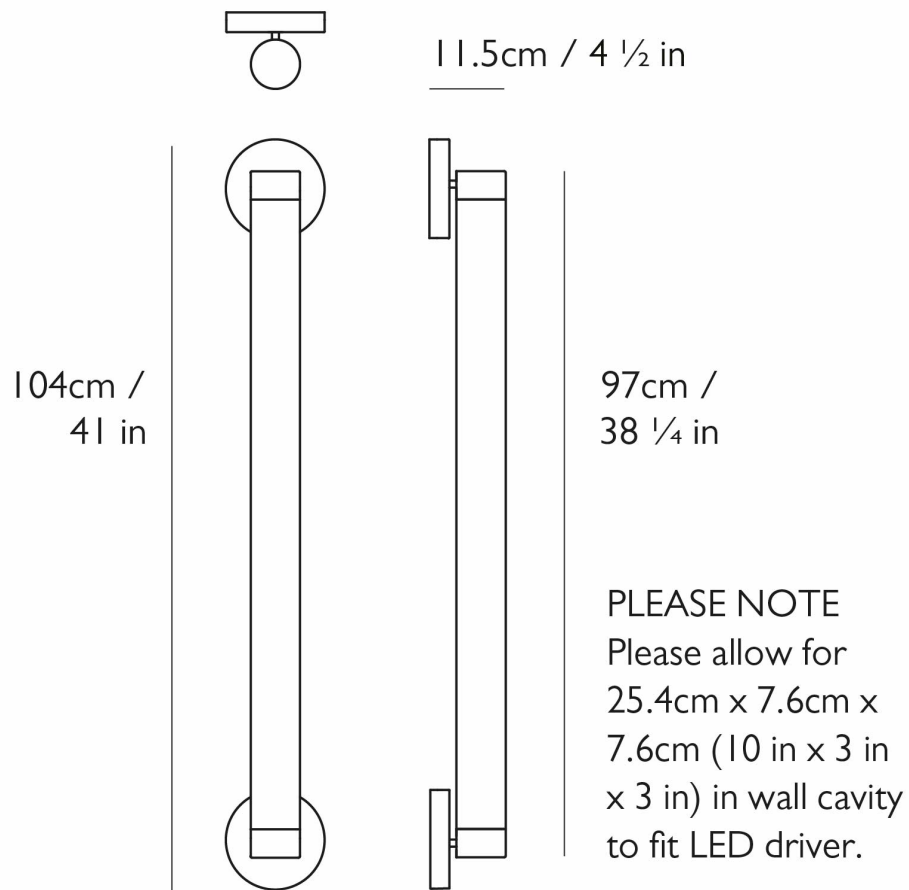


TUBE WALL LIGHT



TUBE WALL LIGHT



ORIGIN
United Kingdom

DATE
2017

WEIGHT
8 lbs.

CERTIFICATIONS
UL, cUL (110-130V). CE, CB (220-240V).

MATERIALS
Carrara marble and steel with Brushed Brass or Polished Chrome finish.

DIMENSIONS
Canopy: Dia. 4.75 x W 1.1"
Fixture: L 4.7" x W 4.5" x H 41"

ILLUMINATION
110-130V or 220-240V: 15W LED strip, 800lm, 2700K, CRI 80, 24vDC, dimmable.