

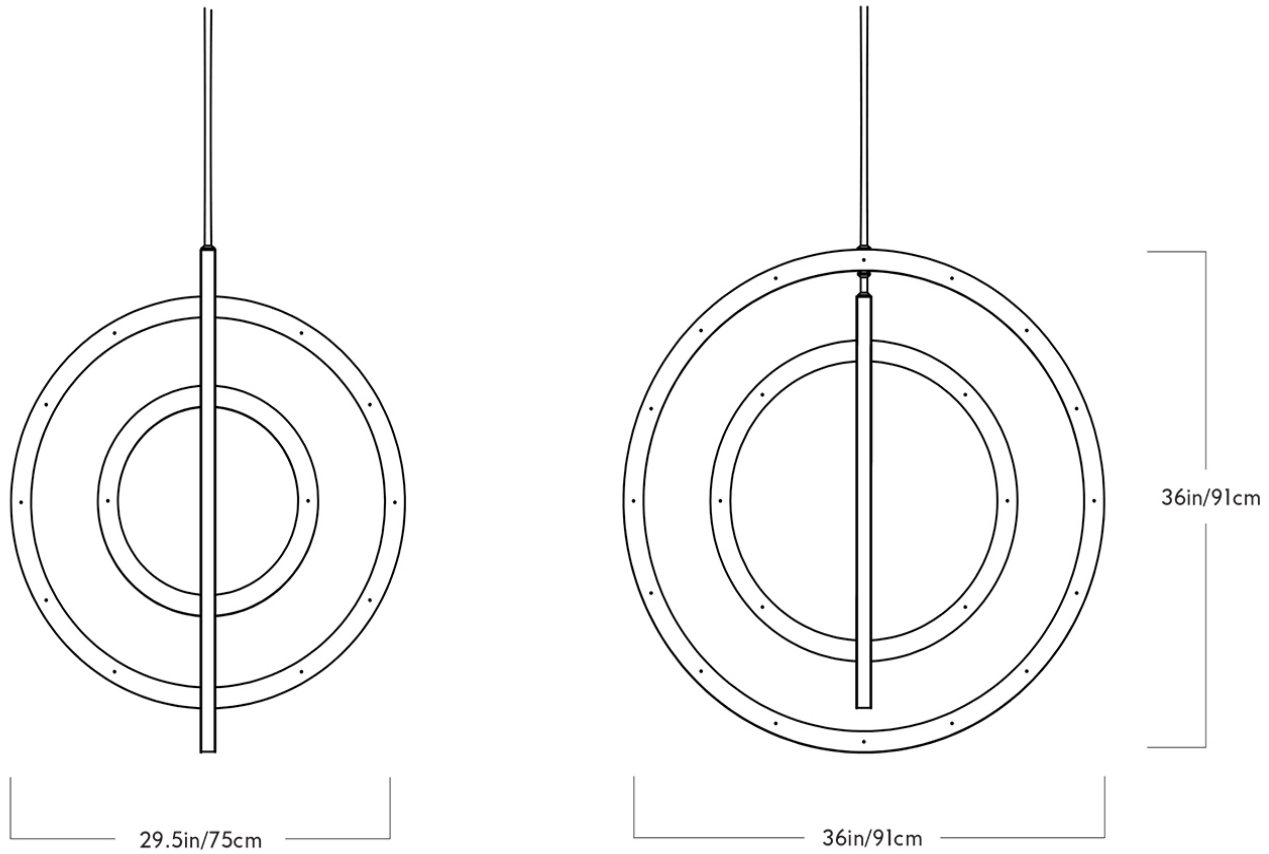
VERTICAL HALO CHANDELIER — 4 RINGS

PAUL LOEBACH FOR ROLL & HILL



VERTICAL HALO CHANDELIER — 4 RINGS

PAUL LOEBACH FOR ROLL & HILL



DESIGNER
Paul Loebach

MANUFACTURER
Roll & Hill

ORIGIN
United States

PRODUCTION
Made to Order

DATE
Designed in 2011

WEIGHT
24lbs

CERTIFICATIONS
UL, cUL (120V), CE, CB (240V).

MATERIALS/FINISHES
Steel and acrylic. Brushed brass, blackened steel, oil-rubbed bronze or polished nickel finish.

DIMENSIONS
Dia 36" X H 36"

ILLUMINATION
Integrated LED (120V/240V): 112 Watts, 5300 Lumens, 2700 Kelvin, 90 CRI, 50,000 life hours, TRIAC, ELV or 0-10V Dimming.

SUSPENSION
.5" steel stem in matching metal finish. 35" length included with lamp. 96" length available for additional cost. Stem length can be adjusted on site.

CANOPY
10" round in matching metal finish.